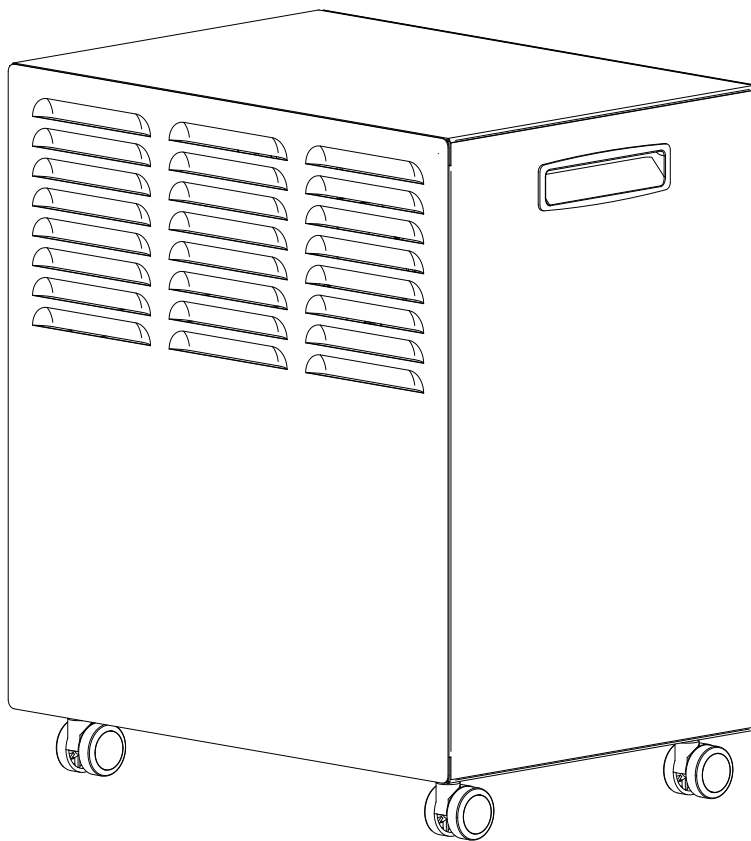


ActivePure®

GUARDIAN PRO



Electronic Surface & Air Purification System

Read manual carefully for proper use and optimal operation.

General Information

Product Overview

Congratulations on your purchase! Your new ActivePure Guardian Pro utilizes, our powerful, ActivePure Technology to provide 24/7 air purification in indoor spaces up to 8,000 sq. ft. Please read and follow all safety warnings and instructions outlined in this owner's manual, before operating or performing maintenance.

Contents

Product Overview	2
Specifications	2
Storage and Disposal	2
Important Safety Instructions	3
For Canadian Customers Only	4
Product Features	5
Directions for Use	5
Maintenance	5
ActivePure Cell Assemblies	6
Replacing the ActivePure Cell Assembly Tray	6
Replacement Parts	9
Warranty Information	9
FCC Declaration & Responsible Party	10

Storage and Disposal

Do not dispose of this product as household waste. Electrical waste and electronic products should be appropriately recycled as required by practices established by your local authority.



If you have any questions concerning this product, please contact your Sales Representative or Customer Service at 800.572.1446 or email customerservice@ActivePure.com.

Specifications

ActivePure Guardian Pro _____

- Sales number: 00784
- Model number: F223A

Meets California ozone emissions limit: CARB certified Validated to UL 2998

Technology: _____

- ActivePure® Technology - (1) Tray with (4) 14" HO ActivePure Cell Assemblies

Electrical: _____

- Input Voltage: 120 Volts; 60 Hz
- Power Consumption: 216 Watts

Mechanical: _____

- Fuse: 2.5 A slowblow
- Airflow Rate: 300 CFM

Sound Level: _____

- 69 dB(A)

Safety: _____

- Complies to UL 507

Weight & Dimensions:

- 27 lbs (12.3 kg)
- 13" W x 21.5" H x 18.5" D (33 cm x 54.6 cm x 47 cm)

Recommended Maximum Coverage in a Contiguous Space: _____

- Every facility is unique and proper configuration is an important as the technology. To validate coverage in your facility, speak to your Sales Representative or contact Customer Service at 800-572-1446.

Warranty: _____

- Limited Three (3) Year Warranty
- Terms and conditions may apply

We reserve the right to change or modify any specification without notice.

Important Safety Instructions



WARNING

- **Electrical Shock Hazard**
- **Risk of property damage, injury or death**
- **Disconnect all electrical power supplies before servicing**
- **When using an electrical appliance, basic precautions should always be taken**
- **To reduce risk of fire, electrical shock, or injury to persons, observe the following:**



CAUTION

- **Any service must be performed by a qualified technician**
- **Equipment sharp edges can cause injuries; avoid grasping equipment edges without protective gloves**

Read this manual in its entirety before using your ActivePure® Guardian Pro.

Keep out of the reach of children.

- Use only as described in this manual
- **DO NOT** use outdoors or on wet surfaces
- **DO NOT** allow to be used as a toy; Keep out of reach from children; close attention is necessary if operated near children
- **DO NOT** use with damaged cord or plug. If unit is not working as it should, has been dropped, damaged, left outdoors, or dropped into water, **DO NOT** use, and return it to a service center
- **DO NOT** pull or carry by cord, use cord as a handle, close door on cord, or pull cord around sharp edges or corners. Keep cord away from heated surfaces
- **DO NOT** unit to sit on cord
- **DO NOT** unplug by pulling on cord. To unplug, grasp the plug, not the cord
- **DO NOT** handle plug or unit with wet hands
- **DO NOT** allow foreign objects to enter the ventilation or exhaust openings
- Turn off all controls before unplugging
- To avoid electric shock and fire hazards, plug directly into an appropriate electrical outlet (see voltage on unit); never use with an extension cord or power strip
- To reduce the risk of electrical shock, this unit has a grounded plug (with a third prong); this plug will fit in a grounded outlet only one way. If it does not fit, contact a qualified electrician to install the proper outlet. **DO NOT** change the plug in any way.
- **DO NOT** use adapters

Save these instructions.

For Canadian Customers Only

ActivePure® Guardian Pro

Sales No. : 00784

This UV device helps reduce the spread of viruses in the air.

Keep out of the reach of children.

Please read the label and owner's manual before using: activepure.com/manuals

PRECAUTIONS:

WARNING: UV radiation emitted from this device. Unintended use of the device, or damage to the housing, may result in exposure to ultraviolet radiation. Ultraviolet radiation may cause eye and skin irritation. Avoid exposing eyes and skin to ultraviolet radiation.

FIRST AID INSTRUCTIONS: Please contact your healthcare provider in the event of injury caused by this device.

DIRECTIONS FOR USE:

Place the unit in the center of the area to be treated for best results. Plug the cord into a working electrical outlet and rotate the Power Knob to the right to operate the unit. Please see this manual for detailed instructions on using, handling, storing and disposing of the device, and procedures to mitigate any associated risks.

The use of this device is a supplement to and not a substitute for standard infection control practices; users must continue to follow all current infection control practices, including those related to the cleaning and disinfection of environmental surfaces.

FOR INQUIRIES CONTACT:

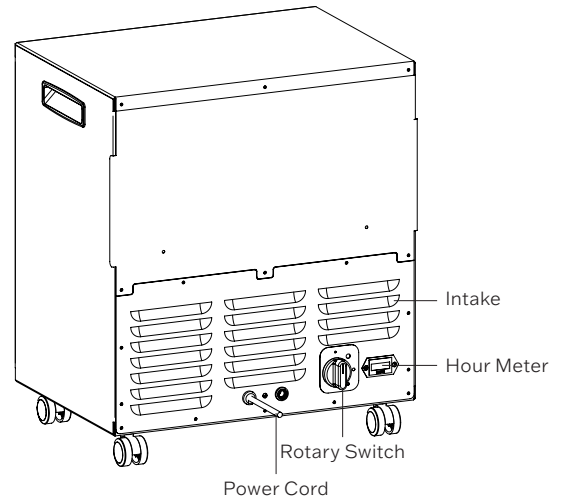
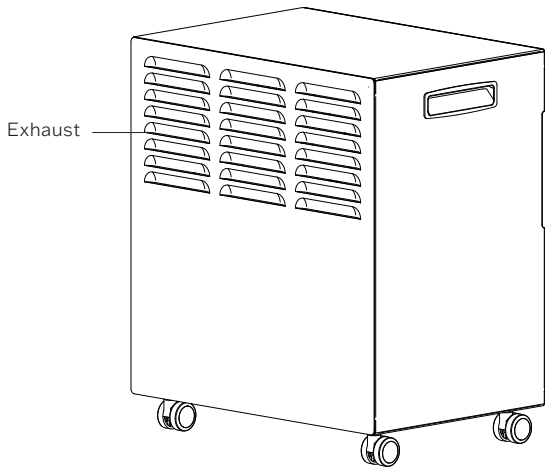
Aerus Canada, Inc.
Laird Business Park
3480 Laird Road, Units 2-5
Mississauga, Ontario, Canada, L5L 5Y4

W. Parrell, Manager
(905) 569-9399
wparrell@aerusonline.com

Aerus Canada, Inc. is affiliated with ActivePure Manufacturing, LLC
1300 Valley Drive, Bristol, VA 24201

Product Features

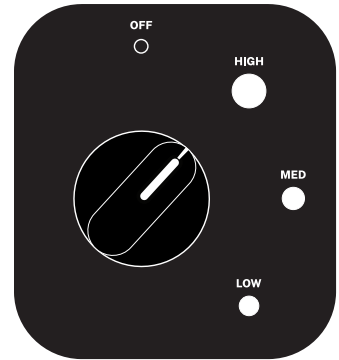
It is important to be familiar with the parts of the ActivePure® Guardian Pro. If any parts are missing, contact your sales representative or ActivePure Customer Service.



Directions for Use

This device is intended for the reduction of many common types of bacteria, viruses, and mold in large indoor spaces.

1. Take your ActivePure Guardian Pro unit out of the shipping carton and remove all protective materials.
2. Place the unit in the center of the area to be treated for best results.
3. Plug the Power Cord into a working electrical outlet and rotate the Power Knob to the right to operate the unit.
4. Rotate Power Knob to the **HIGH** position first to power on the unit. Once the fan is moving at full speed, turn the Power Knob to the desired speed.
5. When finished using, rotate Power Knob to the **OFF** position and unplug the unit.



Maintenance



Unplug the unit before performing any maintenance procedures.

Our Air purifiers are designed to help improve indoor air with minimum impact on the environment. Aerus air purification systems are built for years of use.

Keep your unit in top condition with these cleaning tips:

- Always unplug unit before cleaning
- Wipe the exterior with a soft, clean, damp cloth
- Vacuum the air inlets on the outside of the unit with a soft brush attachment

ActivePure® Cell Assemblies

Our proprietary ActivePure Cell Assemblies (Qty 4) that are found in the ActivePure Guardian Pro, use light waves and a catalytic process to create Advanced Photohydrolysis molecules that inactivate contaminants found in the air.

For optimal performance Aerus recommends that you replace the ActivePure Cell Assembly Tray every 12 months if run 24/7/365.

If run 12 hours or less per day, or less than 7 days per week, the ActivePure Cell Assembly Tray should be changed every 24 months; or even longer if run less than that.

For questions on maintenance procedures, please contact your Sales Representative or Customer Service for further assistance at 800.572.1446 or email customerservice@ActivePure.com.

Replacing the ActivePure® Cell Assembly Tray



- Eye damage may result from directly viewing the UV bulb used in this product; always turn off and unplug before removing filters or bulbs
- Unplug the unit before performing any maintenance procedures



Use genuine ActivePure replacement parts only; parts from anyone other than an authorized ActivePure Representative may damage your unit and void your warranty.

1. Rotate the Power Knob to the **OFF** position and unplug the unit from its power source.
2. To get access to the ActivePure Cell Assembly Tray, remove the eight screws securing the Rear Access Panel to the unit. **(Figure 1)**
3. With the screws removed, remove the Rear Access Panel by pulling out at the bottom slightly, then slide the access panel down and lift away. **(Figure 2)**
4. You now have access to the ActivePure Cell Assembly Tray and electrical connection.
5. Pull the bottom of the ActivePure Cell Assembly Tray slightly outward, approx. 1" to 2". **(Figure 3)**

Figure 1

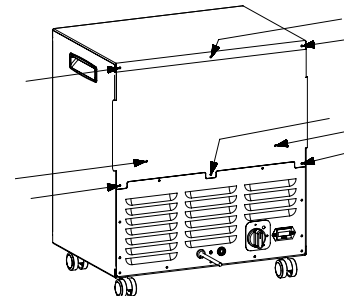


Figure 2

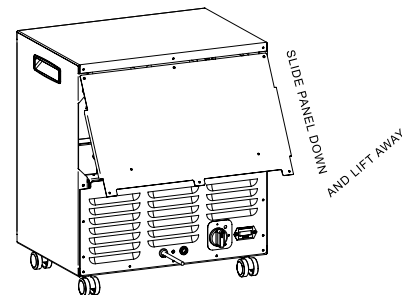
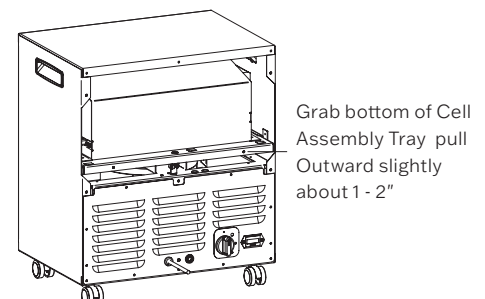


Figure 3



Replacing the ActivePure® Cell Assembly Tray (continued)

- Detach the Power Connector by pressing on the locking ears and pulling the connector apart. **(Figure 4)**
- Grab the bottom of the ActivePure Cell Assembly Tray and slide it fully out of the unit. **(Figure 4)**
- Replace the old ActivePure Cell Assembly Tray with a new one. **(Service Item# 50297; Figure 5 - Front)**
- You may now reinsert the new ActivePure Cell Assembly Tray back into the unit.
- Slide the new ActivePure Cell Assembly Tray between the Upper Rail and Lower Rail inside the unit, with the back of the ActivePure Cell Assembly facing you. **(Figure 6)**
- When fully inserted, the rear of the ActivePure Cell Assembly Tray should be even or slightly recessed to the sides of the unit housing. **(Figure 7)**

Figure 4

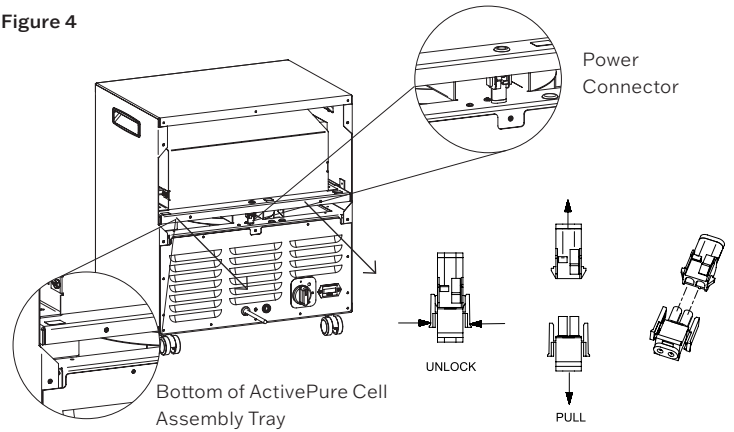


Figure 5

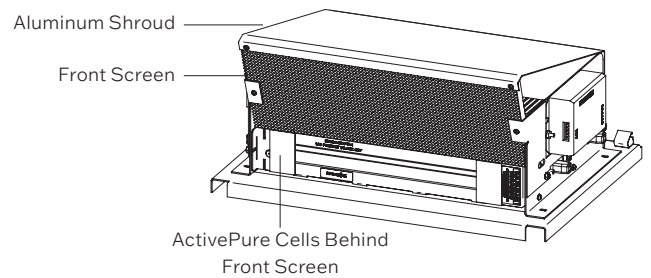


Figure 6

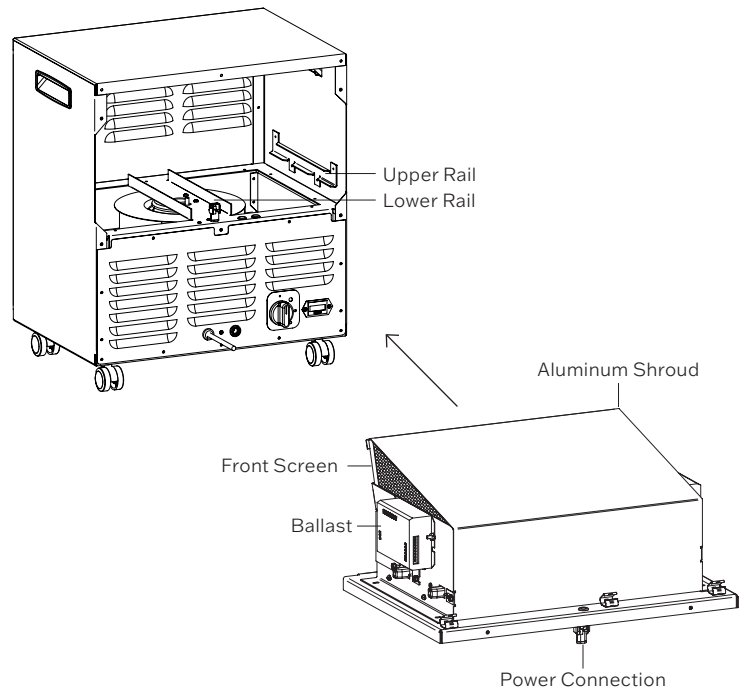
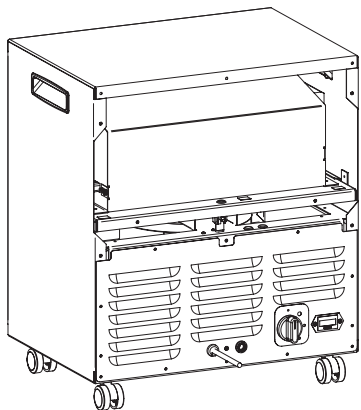


Figure 7



Replacing the ActivePure® Cell Assembly Tray (continued)

12. Reconnect the Power Connector by inserting the two ends together. **(Figure 8)**

NOTE: Make sure the two ends of the Power Connector are fully inserted, and the locking ears locked to the mating part.

13. With the ActivePure Cell Assembly Tray inserted and the Power Connector assembled, the Rear Access Panel can be reattached.

14. Position the Rear Access Panel to the unit, then slide it up and under the top edge. **(Figure 9)**

15. Use one of the shorter 9 mm screws to hold the Rear Access Panel in place by securing it to the top center of the unit. **(Figure 10)**

NOTE: The eight Rear Access Panel screws consist of seven screws that are approximately 9 mm long and one screw approximately 12 mm long.

16. Take the remaining 9 mm Rear Access Panel screws and reattach them to the Rear Access Panel. **(Figure 10)**

17. The one 12 mm screw is used to activate the safety switch hand. **(Figure 10)**

NOTE: It's critical that it is correctly placed in the lower center as shown here for the unit to operate.

18. Now that the unit has been reassembled, you may now turn the unit on.

19. Plug the unit into its power source and select high on the fan speed switch, making sure the unit operates properly.

NOTE: For instructions on how to change each ActivePure Cell Assembly individually, watch the following maintenance video: <https://vimeo.com/884082185?share=copy>

Figure 8

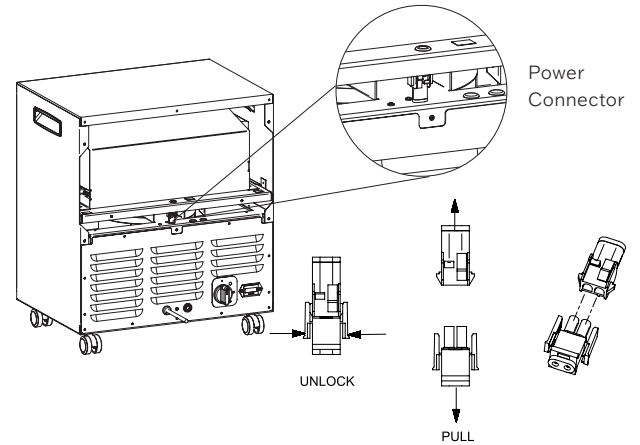


Figure 9

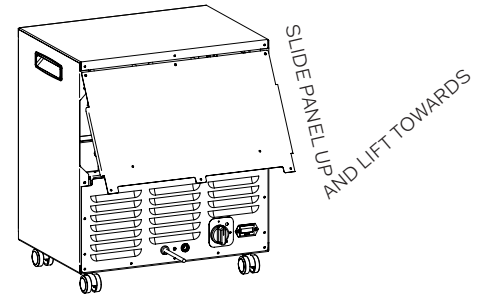
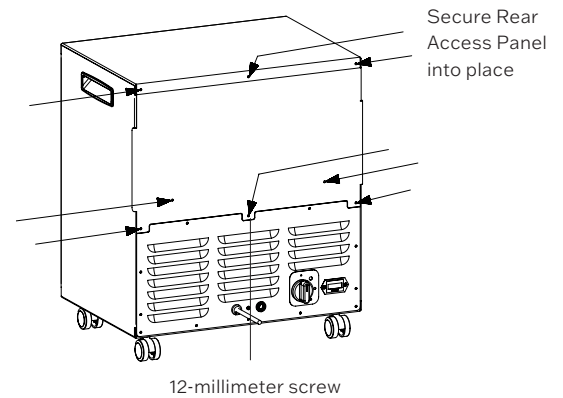


Figure 10



Storage and Disposal

Do not dispose of this product as household waste. Electrical waste and electronic products should be appropriately recycled as required by practices established by your local authority.

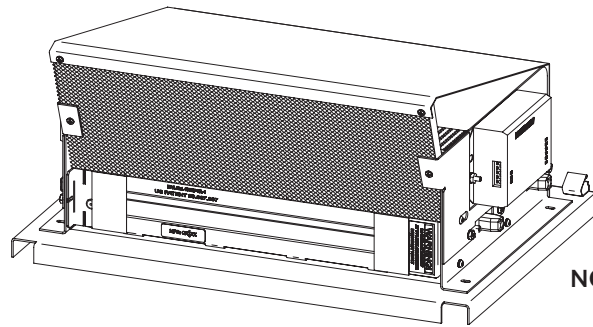
For questions on maintenance procedures, contact your Sales Representative or Customer Service at 800.572.1446 or email customerservice@ActivePure.com.

Replacement Parts



Use genuine ActivePure replacement parts only; parts from anyone other than an authorized ActivePure Representative may damage your unit and void your warranty.

REPLACEMENT PARTS (QTY)	PART NUMBER
ActivePure® Cell Assembly Tray (recommended) NOTE: Includes (4) 14" HO ActivePure Cell Assemblies & Ballast	50297
14" HO ActivePure Cell Assembly - Qty1 NOTE: Qty (4) needed for this unit.	49945



NOTE: Includes (4) 14" HO ActivePure Cell Assemblies & Ballast

ActivePure® Cell Assembly Tray

To order replacement parts, please contact your Sales Representative or Customer Service at 800.572.1446 or email customerservice@ActivePure.com.

Warranty Information

Limited Three (3) Year Warranty

To register your ActivePure® Guardian Pro unit, please contact Customer Service at 800.572.1446 or email customerservice@ActivePure.com. To view full details of warranty coverage, visit activepure.com/manuals.

FCC Declaration & Responsible Party

This equipment has been tested and found to comply with the limits for a Class B digital device, pursuant of part 15 of the FCC Rules. These limits are designed to provide reasonable protection against harmful interference in a residential installation. This equipment generates, uses, and can radiate radio frequency energy, and if not installed and used in accordance with the instructions, may cause harmful interference to radio communications. However, there is no guarantee that interference will not occur in a particular installation. If this equipment does cause harmful interference to radio or television, which can be determined by turning the equipment off and on, the user is encouraged to try to correct the interference by one or more of the following measures:

- Reorient or relocate the receiving antenna.
- Increase the separation between the equipment and receiver.
- Connect the equipment into an outlet on a circuit different from that to which the receiver is connected.
- Consult the Independent Contractor for help.

FCC DECLARATION OF CONFORMITY

Name: ActivePure® Guardian Pro

Model: F223A

Manufactured for: ActivePure Manufacturing, LLC

This device complies with Part 15 of the FCC Rules.

RESPONSIBLE PARTY

ActivePure Manufacturing, LLC

1300 Valley Drive,

Bristol, VA 24201

Ph: 800.572.1446

Signature:



Printed Name: Andrew Eide

Title: Chief Technology, Product &
Regulatory Officer

Date: 04/16/2026

For information regarding the use of this product, please contact Customer Service at 800.572.1446 or email customerservice@ActivePure.com

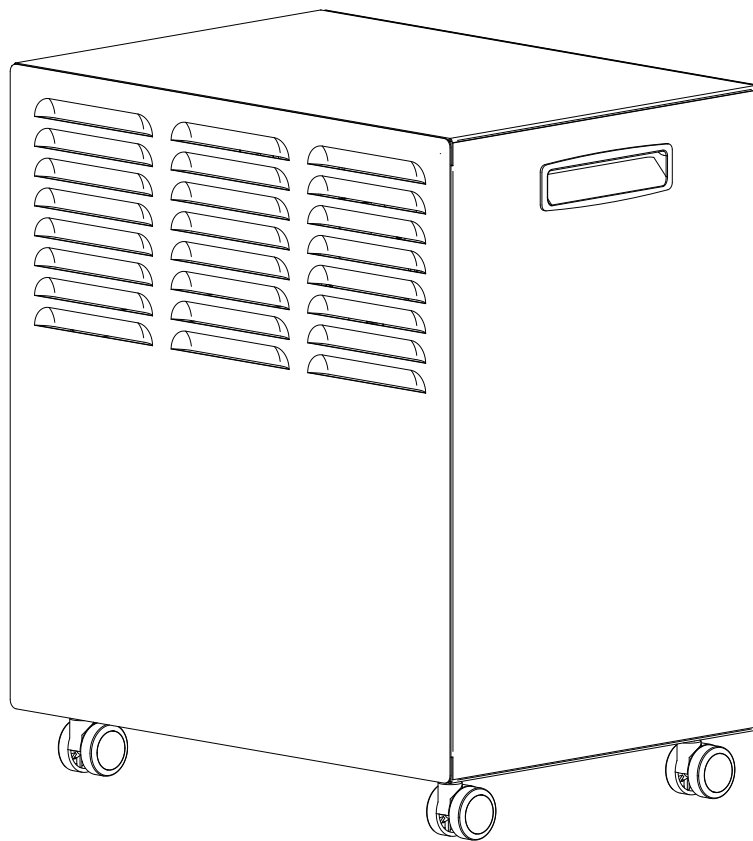
ACTIVEPURE.COM

© ActivePure Manufacturing, LLC. All Rights Reserved



ActivePure®

GUARDIAN PRO



Systeme électronique de purification de surface et d'air
Lisez attentivement le manuel pour une utilisation correcte et un fonctionnement optimal.

Informations générales

Aperçu du produit

Félicitations pour votre achat ! Votre nouveau ActivePure Guardian Pro utilise notre puissante technologie ActivePure pour fournir une purification de l'air 24/7 dans des espaces intérieurs jusqu'à 8 000 m². ft. Veuillez lire et suivre tous les avertissements de sécurité et instructions décrits dans le manuel du propriétaire, avant d'effectuer l'exploitation ou la maintenance.

Contenu

Aperçu du produit	12
Spécifications	12
Stockage et élimination	12
Instructions importantes de sécurité	13
Pour les clients canadiens seulement	14
Caractéristiques du produit	15
Directions d'utilisation	15
Maintenance	15
Assemblages de cellules ActivePure	16
Remplacement du plateau d'assemblage de cellules ActivePure	16
Pièces de rechange	19
Informations sur la garantie	19
Déclaration de la FCC et partie responsable	20

Stockage et élimination

Ne pas éliminer ce produit en tant que déchets ménagers. Les déchets électriques et les produits électroniques doivent être recyclés de manière appropriée, conformément aux pratiques établies par votre autorité locale.



Si vous avez des questions concernant ce produit, veuillez contacter votre représentant de ventes ou le service à la clientèle au 1.800.572.1446 ou par courriel customerservice@ActivePure.com.

Spécifications

ActivePure Guardian Pro _____

- Numéro de vente: 00784
- Numéro de modèle: F223A

Respecte la limite des émissions d'ozone en Californie : certifié CARB
Certifié UL 2998

Technologie: _____

- Technologie ActivePure[®] - (1) Plateau avec (4) Assemblages cellulaires ActivePure HO 14 pouces

Électrique: _____

- Tension d'entrée: 120 volts; 60 Hz
- Consommation de puissance: 216 watts

Mécanique: _____

- Fuse: 2,5 A ralenti
- Taux de débit d'air: 300 CFM

Niveau sonore: _____

- 69 dB(A)

Sécurité: _____

- Conforme à l'UL 507

Poids et dimensions:

- 12,3 kg
- 33 cm x 54,6 cm x 47 cm

Couverture maximale recommandée en a espace contigu: _____

- Chaque installation est unique et une configuration appropriée est importante que la technologie. Pour valider la couverture dans votre établissement, parlez-en à votre représentant de ventes ou appelez le service à la clientèle au 1.800-572-1446.

Garantie: _____

- Garantie limitée de trois (3) ans
- Des conditions générales peuvent s'appliquer

Nous nous réservons le droit de modifier ou de modifier toute spécification sans préavis.

Instructions importantes de sécurité



**MISE EN
GARDE**

- **Risque de choc électrique**
- **Risque de dommages matériels, de blessures ou de décès**
- **Débrancher toutes les alimentations électriques avant l'entretien**
- **Lors de l'utilisation d'un appareil électrique, des précautions de base doivent toujours être prises**
- **Pour réduire les risques d'incendie, de choc électrique ou de blessure pour les personnes, observez les points suivants:**



ATTENTION

- **Tout service doit être effectué par un technicien qualifié**
- **Les bords tranchants de l'équipement peuvent causer des blessures; éviter de saisir les bords de l'équipement sans gants de protection**

Lisez ce manuel dans son intégralité avant d'utiliser votre ActivePure® Guardian Pro.

Tenir hors de la portée des enfants.

- Utiliser uniquement comme décrit dans ce manuel
- **N'UTILISEZ** pas à l'extérieur ou sur des surfaces mouillées
- **NE PERMETTEZ** pas d'être utilisé comme jouet; Tenir hors de portée des enfants; une attention particulière est nécessaire si vous opérez près des enfants
- **NE PAS** utiliser avec le cordon endommagé ou la fiche. Si l'unité ne fonctionne pas comme elle le devrait, a été abandonnée, endommagée, laissée à l'extérieur, ou tombée dans l'eau, **NE PAS** utiliser, et la retourner dans un centre de service
- **NE PAS** tirer ou porter par cordon, utiliser le cordon comme poignée, fermer la porte sur le cordon, ou tirer le cordon autour des bords ou des coins tranchants.
- Gardez le cordon à l'écart des surfaces chauffées
- **NE PAS** s'unir pour s'asseoir sur le cordon
- **NE PAS** débrancher en tirant sur le cordon. Pour débrancher, saisissez la fiche, pas le cordon
- **NE PAS** manipuler la prise ou l'unité avec les mains mouillées
- **NE LAISSEZ** pas les objets étrangers entrer dans les ouvertures de ventilation ou d'échappement
- Éteignez tous les contrôles avant de débrancher
- Pour éviter les chocs électriques et les risques d'incendie, branchez directement dans une prise électrique appropriée (voir tension sur l'unité);
- ne jamais utiliser avec un cordon d'extension ou une bande d'alimentation
- Pour réduire le risque de choc électrique, cette unité a une prise à la terre (avec une troisième broche); cette prise ne s'adaptera dans une prise à la terre qu'une seule façon. Si elle **NE CONVIENT PAS**, contactez un électricien qualifié pour installer la prise appropriée. **NE CHANGEZ** pas la fiche de quelque manière que ce soit.
- **N'UTILISEZ** pas d'adaptateurs

Save these instructions.

Pour les clients canadiens seulement

ActivePure® Guardian Pro

Non de vente.: 00784

Ce dispositif UV aide à réduire la propagation des virus dans l'air.

Tenir hors de la portée des enfants.

Veillez lire l'étiquette et le manuel du propriétaire avant d'utiliser: activepure.com/manuals

PRÉCAUTIONS:

AVERTISSEMENT: Rayonnement UV émis par ce dispositif. L'utilisation involontaire de l'appareil, ou des dommages au boîtier, peut entraîner une exposition au rayonnement ultraviolet. Le rayonnement ultraviolet peut provoquer une irritation des yeux et de la peau. Évitez d'exposer les yeux et la peau aux rayons ultraviolets.

PREMIERE INSTRUCTIONS D'AIDE: Veuillez contacter votre fournisseur de soins de santé en cas de blessure causée par cet appareil.

DIRECTIONS D'UTILISATION:

Placez l'unité au centre de la zone à traiter pour obtenir de meilleurs résultats. Branchez le cordon dans une prise électrique de travail et faites tourner le bouton de puissance vers la droite pour faire fonctionner l'unité. Veuillez consulter ce manuel pour des instructions détaillées sur l'utilisation, la manipulation, le stockage et l'élimination de l'appareil, ainsi que les procédures pour atténuer les risques associés.

L'utilisation de cet appareil est un complément et non un substitut aux pratiques standard de lutte contre les infections; les utilisateurs doivent continuer à suivre toutes les pratiques actuelles de lutte contre les infections, y compris celles liées au nettoyage et à la désinfection des surfaces environnementales.

POUR LES DEMANDES CONTACTEZ:

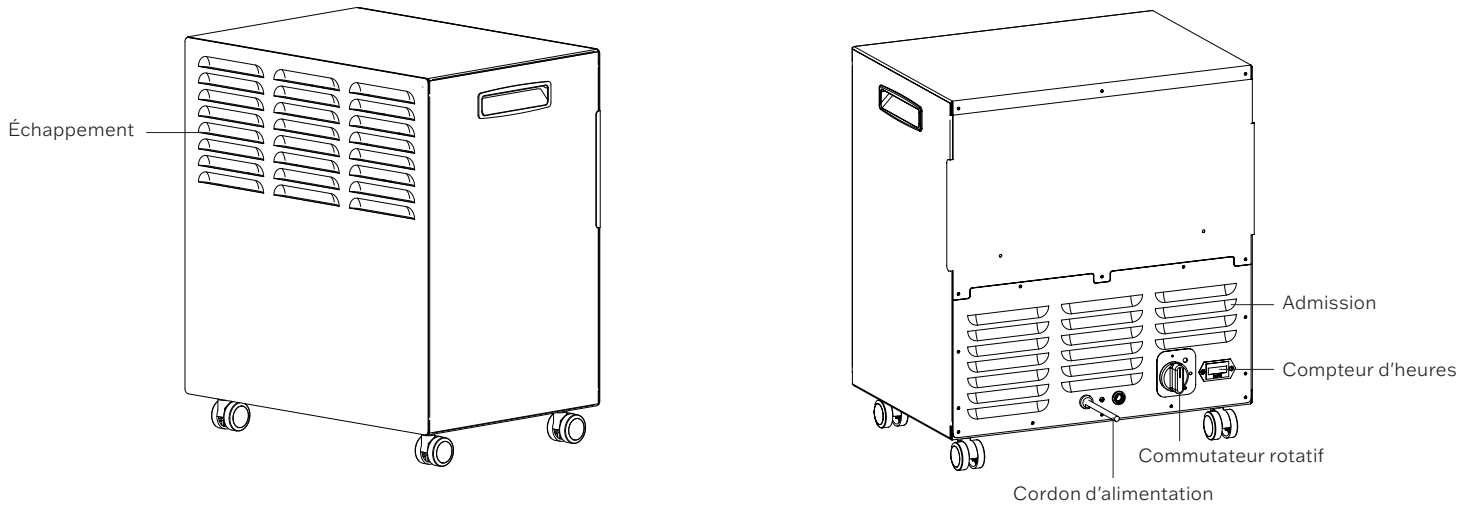
Aerus Canada, Inc.
Laird Business Park
3480 Laird Road, Units 2-5
Mississauga, Ontario, Canada, L5L 5Y4

W. Parrell, Manager
(905) 569-9399
wparrell@aerusonline.com

Aerus Canada, Inc. est affiliée à ActivePure Manufacturing, LLC
1300 Valley Drive, Bristol, VA 24201

Caractéristiques du produit

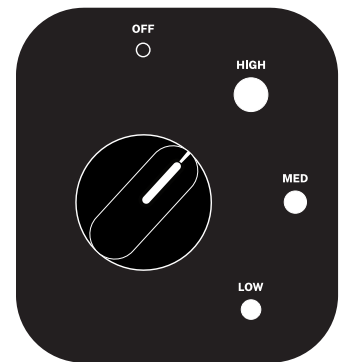
Il est important de connaître les parties de l'ActivePure® Guardian Pro. Si des pièces manquaient, contactez votre représentant commercial ou le service clientèle ActivePure.



Directions d'utilisation

Cet appareil est destiné à la réduction de nombreux types courants de bactéries, virus et moisissures dans les grands espaces intérieurs.

1. Sortez votre unité ActivePure Guardian Pro de la boîte d'expédition et retirez tous les matériaux de protection.
2. Placez l'unité au centre de la zone à traiter pour de meilleurs résultats.
3. Branchez le cordon d'alimentation dans une prise électrique fonctionnelle et tournez le bouton d'alimentation vers la droite pour faire fonctionner l'unité.
4. Tournez le bouton d'alimentation à la position **HAUTE** en premier pour allumer l'appareil. Une fois que le ventilateur fonctionne à pleine vitesse, tournez le bouton d'alimentation à la vitesse désirée.
5. Lorsque vous avez fini de l'utiliser, tournez le bouton d'alimentation à la position **ÉTEINTE** et débranchez l'appareil.



Maintenance



MISE EN GARDE

Débranchez l'appareil avant d'effectuer toute procédure d'entretien.

Nos purificateurs d'air sont conçus pour aider à améliorer la qualité de l'air intérieur avec un impact minimal sur l'environnement. Les systèmes de purification de l'air Aerus sont conçus pour des années d'utilisation.

Gardez votre unité en bon état avec ces conseils de nettoyage:

- Débranchez toujours l'unité avant le nettoyage
- Essayez l'extérieur avec un chiffon doux, propre et humide
- Videz les entrées d'air à l'extérieur de l'unité avec une brosse souple

Assemblages de cellules ActivePure®

Nos assemblages de cellules ActivePure (Qty 4) exclusifs qui se trouvent dans l'ActivePure Guardian Pro, utilisent des ondes lumineuses et un processus catalytique pour créer des molécules de photohydrolyse avancée qui inactivent les contaminants présents dans l'air.

Pour une performance optimale, Aerus vous recommande de remplacer le plateau d'assemblage de cellules ActivePure tous les 12 mois si exécution 24/7/365.

Si vous fonctionnez 12 heures ou moins par jour, ou moins de 7 jours par semaine, le plateau d'assemblage de cellules ActivePure doit être modifié chaque fois 24 mois, voire plus si elle est moins longue.

Pour toute question concernant les procédures de maintenance, veuillez contacter votre représentant de ventes ou votre service à la clientèle pour obtenir de l'aide supplémentaire au 1.800.572.1446 ou envoyer un courriel à customerservice@ActivePure.com.

Remplacement du plateau d'assemblage de cellules ActivePure



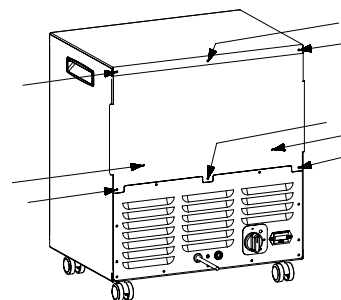
- Les dommages oculaires peuvent résulter de la visualisation directe de l'ampoule UV utilisée dans ce produit; toujours éteindre et débrancher avant de retirer les filtres ou les ampoules
- Débranchez l'unité avant d'effectuer toutes les procédures de maintenance



Utilisez uniquement des pièces de rechange activePure authentiques; les pièces de toute autre personne qu'un représentant ActivePure autorisé peuvent endommager votre unité et annuler votre garantie.

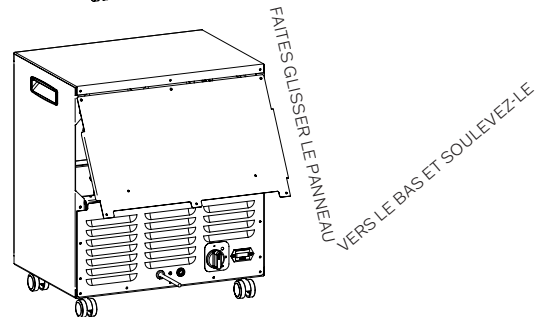
1. Faites pivoter le bouton de puissance en position **ARRÊT** et débranchez l'unité de sa source d'alimentation.

Figure 1



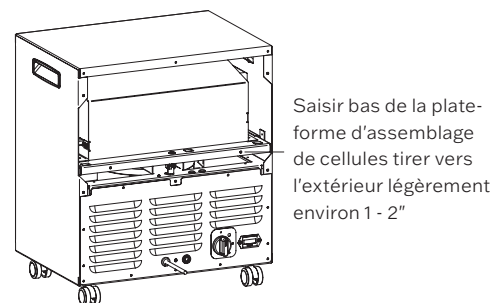
2. Pour accéder au plateau d'assemblage de cellules ActivePure, retirez les huit vis qui sécurisent le panneau d'accès arrière à l'unité. **(Figure 1)**

Figure 2



3. Lorsque les vis sont retirées, retirez le panneau d'accès arrière en tirant légèrement au bas, puis faites glisser le panneau d'accès vers le bas et retirez-le. **(Figure 2)**

Figure 3



4. Vous avez maintenant accès au plateau d'assemblage de cellules ActivePure et à la connexion électrique.

5. Tirez le bas du plateau d'assemblage de cellules ActivePure légèrement vers l'extérieur, environ. 1" à 2". **(Figure 3)**

Remplacement du plateau d'assemblage de cellules ActivePure® (suite)

- Détachez le connecteur d'alimentation en appuyant sur les oreilles de verrouillage et en tirant le connecteur à part. **(Figure 4)**
- Prenez le bas du plateau d'assemblage de cellules ActivePure et faites-le glisser complètement hors de l'unité. **(Figure 4)**
- Remplacez l'ancien plateau d'assemblage de cellules ActivePure par un nouveau. **(Point de service 50297; Figure 5 - Avant)**
- Vous pouvez maintenant réinsérer le nouveau plateau d'assemblage de cellules ActivePure dans l'unité.
- Faites glisser le nouveau plateau d'assemblage de cellules ActivePure entre le rail supérieur et le rail inférieur à l'intérieur de l'unité, avec l'arrière de l'assemblage de cellules ActivePure face à vous. **(Figure 6)**
- Lorsqu'il est complètement inséré, l'arrière du plateau d'assemblage de cellules ActivePure doit être même ou légèrement en retrait sur les côtés du boîtier de l'unité. **(Figure 7)**

Figure 4

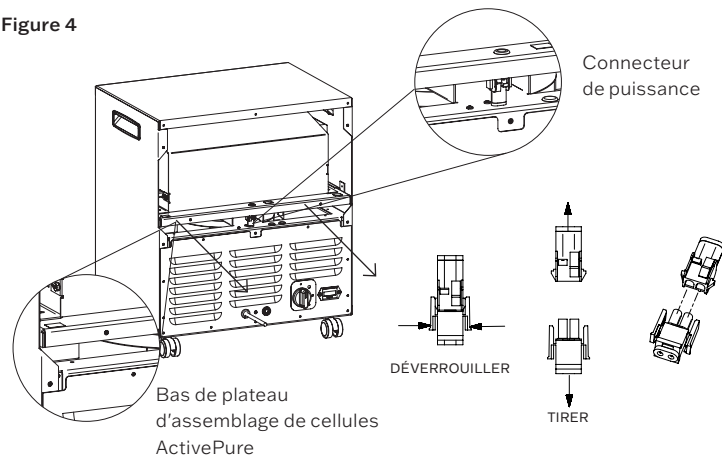


Figure 5

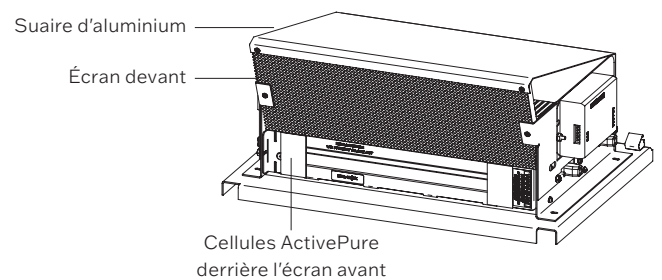


Figure 6

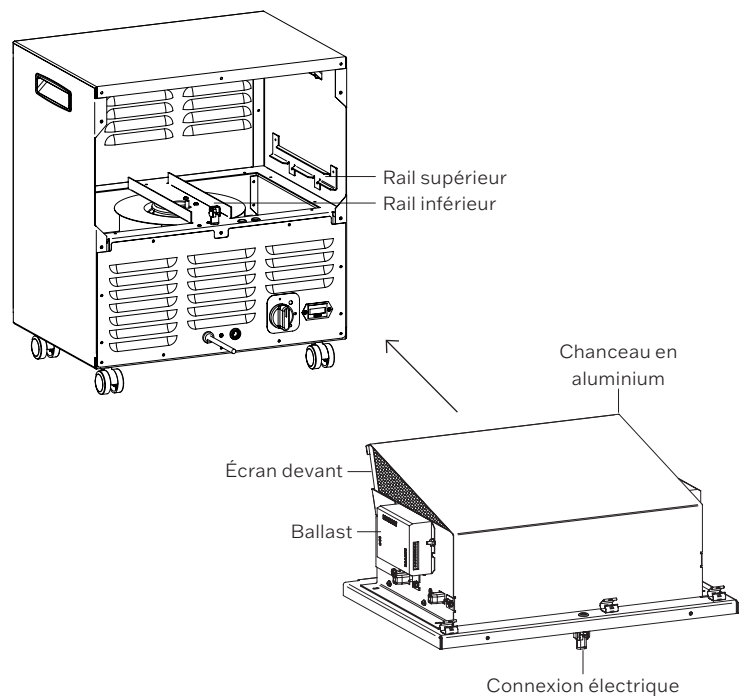
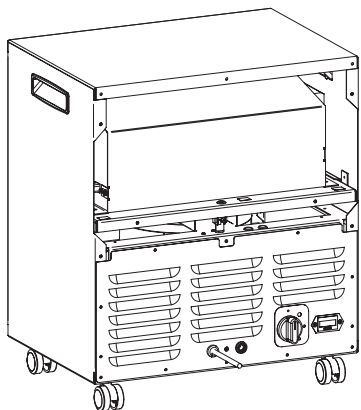


Figure 7



Remplacement du plateau d'assemblage de cellules ActivePure® (suite)

12. Reconnectez le connecteur d'alimentation en insérant les deux extrémités ensemble. **(Figure 8)**

REMARQUE: Assurez-vous que les deux extrémités du connecteur d'alimentation sont complètement insérées, et les oreilles de verrouillage verrouillées sur la partie d'accouplement.

13. Avec le plateau d'assemblage de cellules ActivePure inséré et le connecteur d'alimentation assemblé, le panneau d'accès arrière peut être réattribué.

14. Positionnez le panneau d'accès arrière à l'unité, puis faites-le glisser vers le haut et sous le bord supérieur. **(Figure 9)**

15. Utilisez l'une des vis de 9 mm les plus courtes pour maintenir le panneau d'accès arrière en place en le fixant au centre supérieur de l'unité. **(Figure 10)**

REMARQUE: Les huit vis du panneau d'accès arrière sont constituées de sept vis d'environ 9 mm de long et d'une vis d'environ 12 mm de long.

16. Prenez les vis restantes du panneau d'accès arrière de 9 mm et les relire dans le panneau d'accès arrière. **(Figure 10)**

17. La vis de 12 mm est utilisée pour activer la sécurité passez la main. **(Figure 10)**

REMARQUE: Il est essentiel qu'il soit correctement placé dans le centre inférieur comme indiqué ici pour que l'unité fonctionne.

18. Maintenant que l'unité a été remontée, vous pouvez maintenant allumer l'unité.

19. Branchez l'unité dans sa source d'alimentation et sélectionnez haut sur le commutateur de vitesse du ventilateur, en vous assurant que l'unité fonctionne correctement.

REMARQUE: Pour des instructions sur la façon de modifier chaque Assemblée de cellules ActivePure individuellement, regardez la vidéo de maintenance suivante:
<https://vimeo.com/884082185?share=copy>

Figure 8

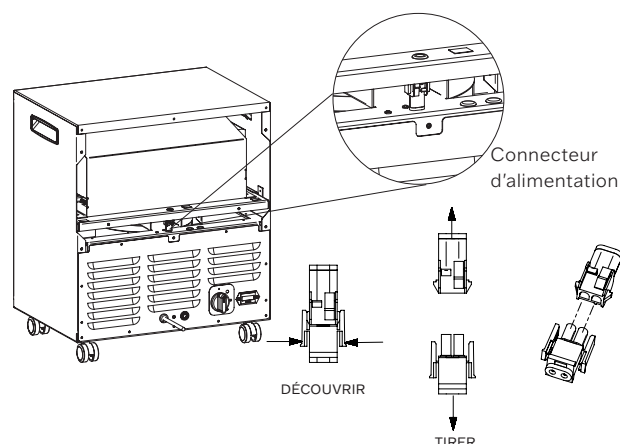


Figure 9

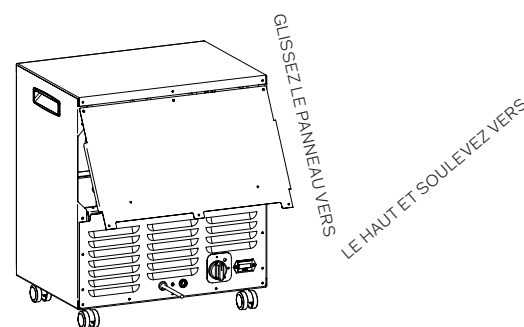
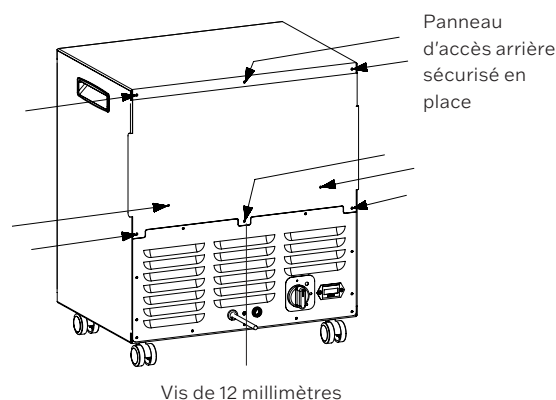


Figure 10



Stockage et élimination

Ne pas éliminer ce produit en tant que déchets ménagers. Les déchets électriques et les produits électroniques doivent être recyclés de manière appropriée, conformément aux pratiques établies par votre autorité locale.

Pour toute question concernant les procédures de maintenance, contactez votre représentant de ventes ou le service à la clientèle au 800.572.1446 ou par courriel customerservice@ActivePure.com.

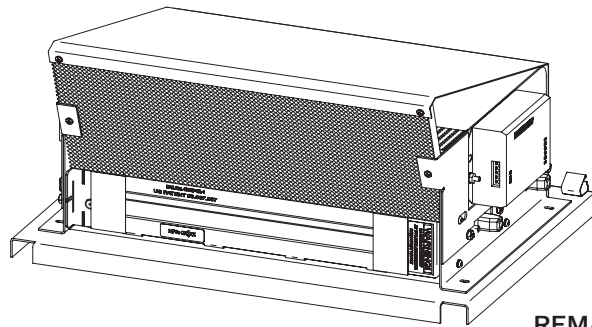
Pièces de rechange



ATTENTION

Utilisez uniquement des pièces de rechange ActivePure authentiques; les pièces de toute autre personne que Un représentant ActivePure autorisé peuvent endommager votre unité et annuler votre garantie.

PIÈCES DE RECHANGE (QTÉ)	NUMÉRO DE LA PIÈCE
Plateau d'assemblage de cellules ActivePure® (recommandé) REMARQUE: Comprend (4) assemblages de cellules HO ActivePure de 14 po et un ballast	50297
Assemblage de cellule HO ActivePure 14" - Qté 1 REMARQUE: Qté (4) requise pour cette unité.	49945



Plateau d'assemblage de cellules ActivePure®

REMARQUE : Comprend (4) assemblages de cellules HO ActivePure de 14 po et un ballast

Pour commander des pièces de rechange, veuillez contacter votre représentant de ventes ou le service à la clientèle au 1.800.572.1446 ou par courriel à customerservice@ActivePure.com.

Informations sur la garantie

Garantie limitée de trois (3) ans

Pour enregistrer votre unité ActivePure® Guardian Pro, Veuillez contacter le service à la clientèle au 800.572.1446 ou envoyez un courriel à customerservice@ActivePure.com. Pour consulter tous les détails de la couverture de la garantie, visitez activepure.com/manuals.

Déclaration de la FCC et partie responsable

Cet équipement a été testé et jugé conforme avec les limites pour un appareil numérique de classe B, conformément à la partie 15 des Règles de la FCC. Ces limites sont conçues pour assurer une protection raisonnable contre les interférences nuisibles dans une installation résidentielle. Cet équipement génère, utilise et peut rayonner de l'énergie radiofréquence et, s'il n'est pas installé et utilisé conformément aux instructions, peut causer des interférences nocives aux communications radio. Cet équipement a été testé et jugé conforme. Cependant, il n'y a aucune garantie que des interférences ne se produiront pas dans une installation particulière. Si cet équipement provoque des interférences nocives pour la radio ou la télévision, ce qui peut être déterminé en éteignant l'équipement et en allumant, l'utilisateur est invité à essayer de corriger l'interférence par une ou plusieurs des mesures suivantes:

- Réorienter ou déplacer l'antenne réceptrice.
- Augmenter la séparation entre l'équipement et le récepteur.
- Connectez l'équipement en une sortie sur un circuit différent de celui auquel le récepteur est connecté.
- Consultez l'entrepreneur indépendant pour obtenir de l'aide.

DÉCLARATION DE CONFORMITÉ DE LA FCC

Nom: ActivePure® Guardian Pro

Modèle: F223A

Fabriqué pour: ActivePure Manufacturing, LLC

Cet appareil est conforme à la partie 15 des Règles de la FCC.

PARTIE RESPONSABLE

ActivePure Manufacturing, LLC

1300 Valley Drive,
Bristol, VA 24201

Ph: 1.800.572.1446

Signature:

Nom imprim



Titre: Directeur principal de la technologie, des produits et de la réglementation

Date: 04/16/2026

Pour plus d'informations sur l'utilisation de ce produit, veuillez contacter le Service Client au 1.800.572.1446 ou par courriel customerservice@ActivePure.com

ACTIVEPURE.COM

© ActivePure Manufacturing, LLC. Tous droits réservés

